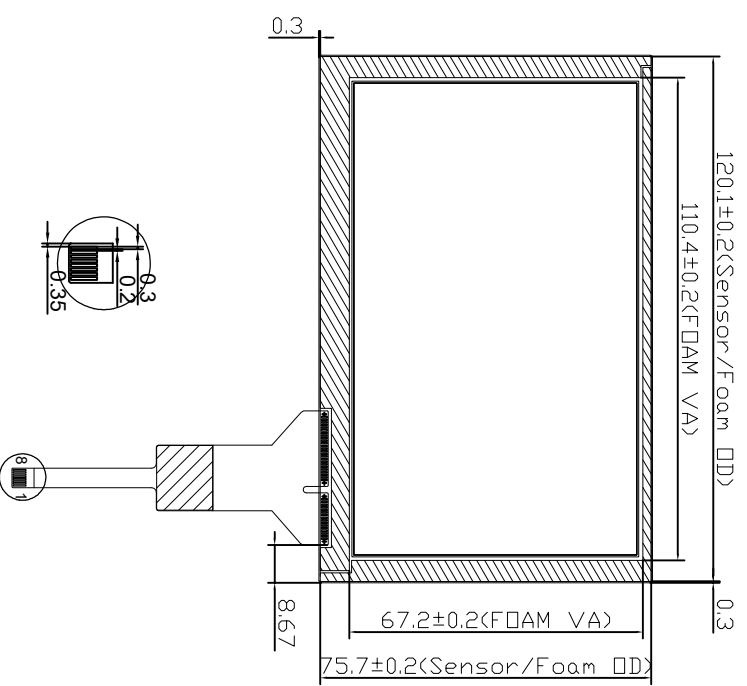
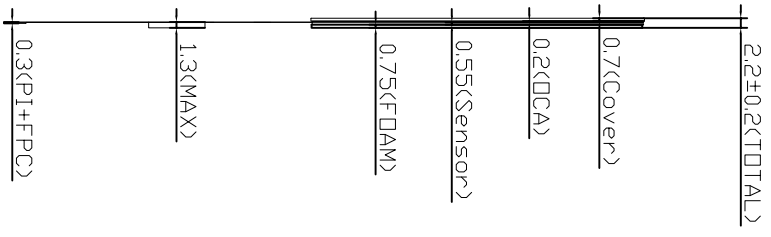
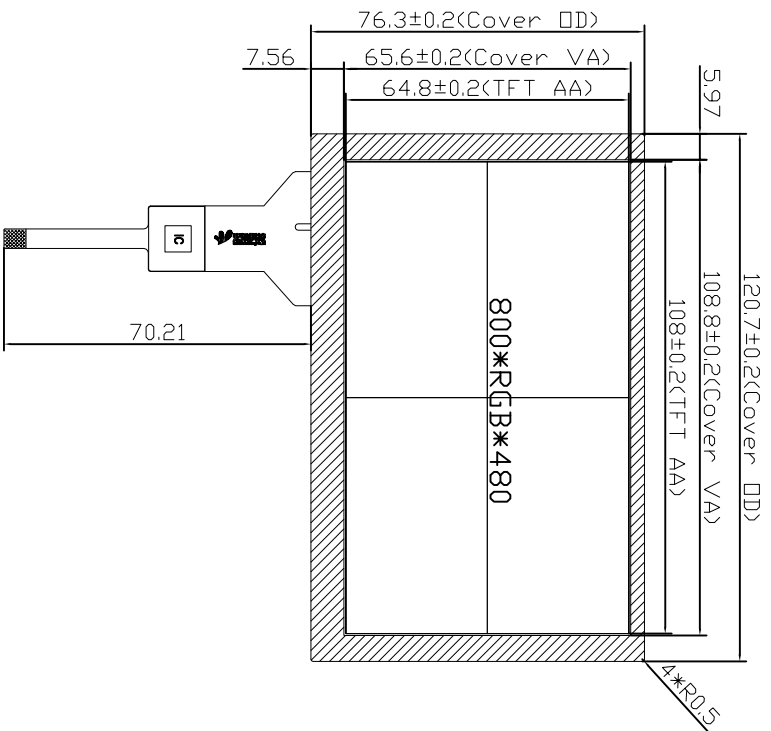


No ROHS hazardous material

Ordinal	Modify content description	Cartographer	Date of change
①			



Screen printing area: Print Black



Frame adhesive foam area = 0.75mm

Front view

Side view

Back view

Technical parameters

1. Interfaces:	12C	7. Humidity range:	45~85%RH
2. Structure :	G+G	8. Transmittance:	≥85%
3. IC solutions:	CYTM568	9. Surface hardness:	≥6H
4. Impact resistance:	30.000N, Steel ball 1326#/10000-35mm/time	10. Operate :	-20°C~+70°C, ≤85%RH
5. Touch points:	10 points	11. Storage :	-30°C~+80°C, ≤85%RH
6. Power supply:	3.3V	12. Unmarked dimension tolerance	as ±0.2

TP PIN:

1	NC	5	SDA3. 3V
2	GND	6	SCL3. 3V
3	RST3. 3V	7	VDD3. 3V
4	INT3. 3V	8	VDD3. 3V



杭州宏源科技有限公司
Grahwolet Technology CO., Ltd

Model	Version	Designer	Approved	Direction	Unit
HX0501601	V2.0	LIU	HBZ		MM
Customer		Date	Date	Date	Proportion
		2016-4-5	2016-4-6		1:1